



## TECHNICAL DATA

### TYPE

Professional LED projectors for **Public Lighting**. Can be used in Highway or any public road and in Parks.

### CHARACTERISTICS

- LEDs: 2835
- Nomial efficacy: 170 lm/W
- Maximum LED: 1000mA
- Lifetime L90B10: >50,000 hours
- Luminous flux and efficacy at 5000°K
- Luminous flux tolerance <+/-3%
- Values may be subject to change du LED binning.

### OPENING/BEAM

High efficiency Ra>80 LED. 60°

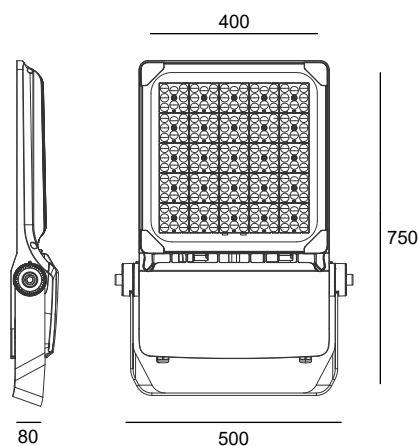
### MATERIAL

- Die-cast aluminium, Transparent 4mm
- tempred-Glass
- Aluminum frame
- Steel Galvanized and painted bracket

PRO	CRI ≥ 70	
IP66		60 L°
100-277V 50/60Hz		5 YEARS WARRANTY

Model:	Cromo
Format:	Rectangular
Location:	Exterior
Wattage:	600W
Materials:	Aluminium
Led Color:	5700K
Product Dimension:	750*500*400mm
IP Code:	66
Fixation:	Surface
CRI :	70
Lumen Output:	102,000LM
Frequency:	50/60 Hz
Beam Angle:	60°
Net Weight:	13.5Kgs

## DIMENSION DRAW



# OUTDOOR